

EVoline®

Product overview



EVOLine®

made in Germany

EVOLine® Contents



EVOLine® One
Page 4



EVOLine® Circle80
Page 8



EVOLine® BackFlip
Page 10



EVOLine® Square80
Page 12



EVOLine® Port Push
Page 14



EVOLine® FlipTop Push
Page 16



EVOLine® FrameDock
Page 18



EVOLine® Port
Page 20



EVOLine® V-Port
Page 22



EVOLine® Dock Square
Page 24



EVOLine® Dock
Page 26



EVOLine® R-Dock
Page 28



EVOLine® V-Dock
Page 30



EVOLine® U-Dock
Page 32



EVOLine® Up
Page 34



EVOLine® Vertical
Page 36



EVOLine® Express
Page 38



EVOLine® Qi Charger
Page 40



EVOLine® Plug / PlugFix
Page 42



EVOLine® Power Connections
Page 44



EVOLine® Cable management
Page 46



EVOLine® Construction kit
Page 48



EVOLine® Decentralised electrical distribution
Page 50



EVoline® One

One size fits all.

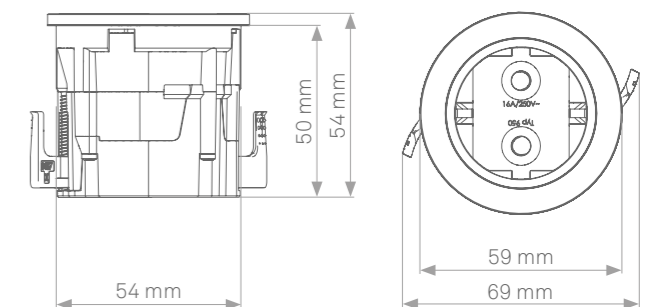
EVoline One - the compact power or data access point. The round socket can be installed horizontally or vertically and can be adapted to the respective requirements thanks to the wide range of modular inserts.



Available with internationally approved sockets.



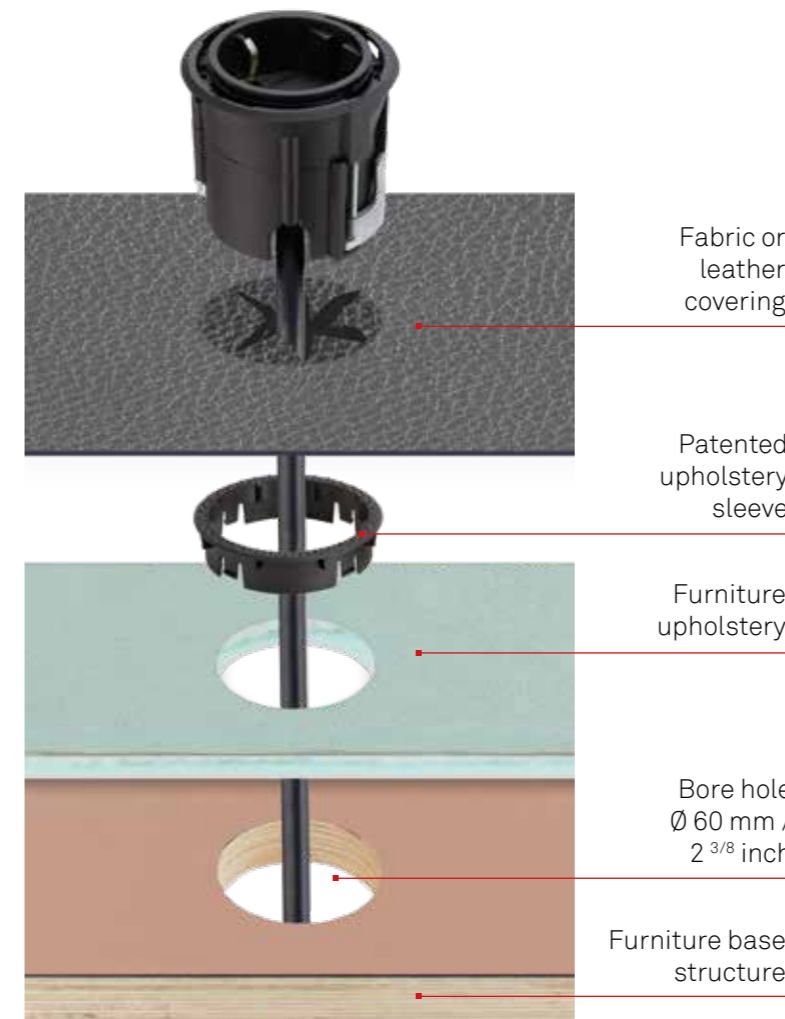
In addition to the variable inserts, EVoline also offers individually selectable rotating covers. Whether at the workplace, in the conference room, in the lounge area or in the kitchenette, the EVoline One provides fast and safe access to power or data - and in a very space-saving, discreet manner at that.



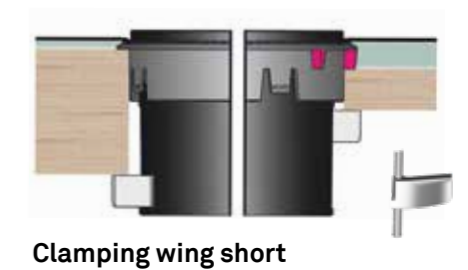
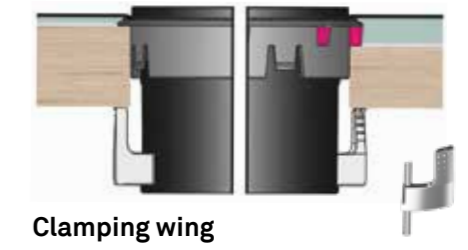


EVOLINE® One

Installation in upholstered furniture.



Upholstery sleeves for flat and high upholstery.





Available with internationally approved sockets.

The three-in-one solution for your workstation.

The EVoline Circle80 unites three functions in one in an intelligent way: power socket, double USB charger and cable aperture.

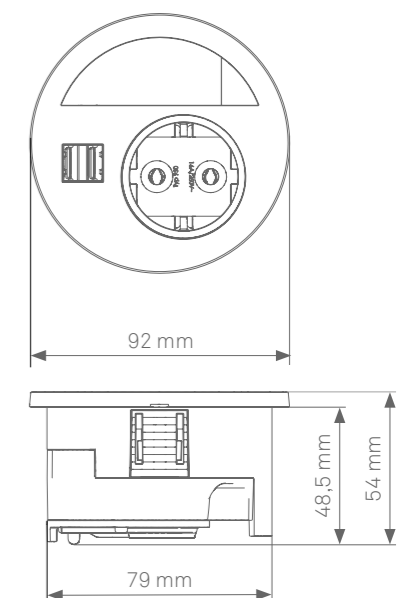
Optional finishing modules enable further individualisation. Cable attachment, covering or mounting of EVoline modules.



Bore hole Ø 80 mm for panel thicknesses from 10 mm.



The handy cable aperture with integrated slider for locking the cable makes excess cable disappear elegantly from the table. The low installation depth and the EVoline fastening system guarantee simple and fast assembly.





EVoline® BackFlip

Electricity and water - not a problem.

Always available, but never in the way. When closed, the EVoline BackFlip is only a thin panel on the desktop. Push it with a finger and it rotates by 180 degrees to show its useful side: USB charger and power sockets are

located so far above the panel that they are protected against water running in from the side.

The low installation depth of just 53 mm allows mounting even above drawers or devices.



Available with internationally approved sockets.



Quick assembly in panels of 10 - 40 mm in thickness.



Flush mounted installation possible.

Surfaces match the ambience:



Stainless steel: brushed



Stainless steel: matt black



Stainless steel: matt white



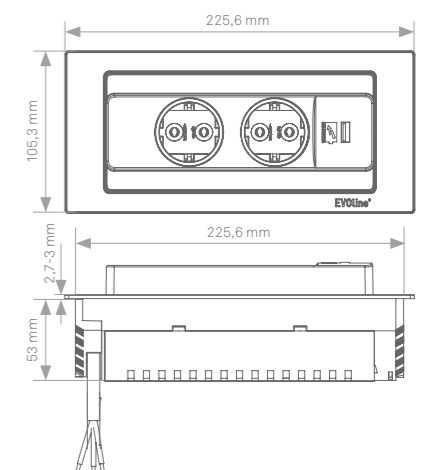
Ceramic: concrete look



Glass: glossy black



Glass: matt white





Qi-READY
iPhone + Android



Innovation in the smallest space.

Cable apertures with a diameter of 80 mm are standard in desks. The standard opening in the desk-top can offer more than a hole with a cover though:



Available with internationally approved sockets.

Available surfaces



Stainless steel look



black

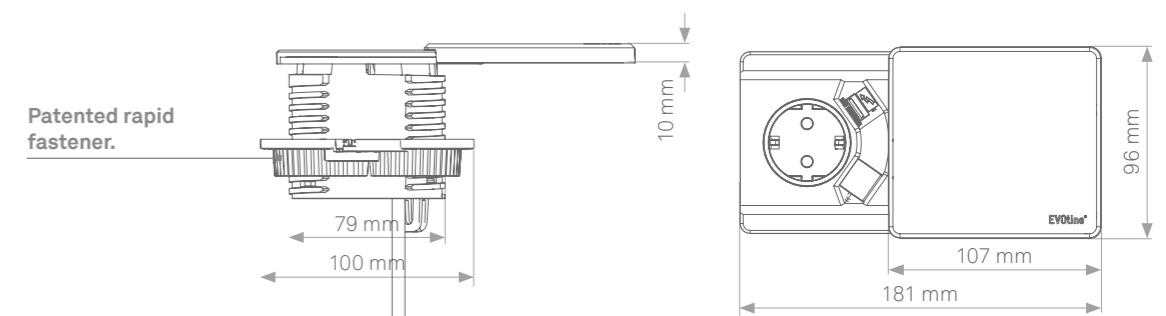


white



The EVoline Square80 houses a power socket, a USB charger and a network connection in a diameter of 80 mm. The EVoline Square80 makes a smart offer even in the closed state:

In the optional Qi version, the sliding cover is designed as an inductive charging point, on which suitable mobile phones can be charged wirelessly.





product
best of best



EVOLine® Port Push

Push to open.

With the push-to-open function, all important connections are instantly available on the desktop at the touch of a finger. In the connected state, the EVOLine Port Push disappears into the desktop with a gentle push. The patented cover function allows the cables to pass through.



Patented cover function.
Fully retractable even when connected.



Freely configurable according to your wishes.

Always exchangeable.
Interchangeable modules for data and multimedia.

Surfaces match the ambience.



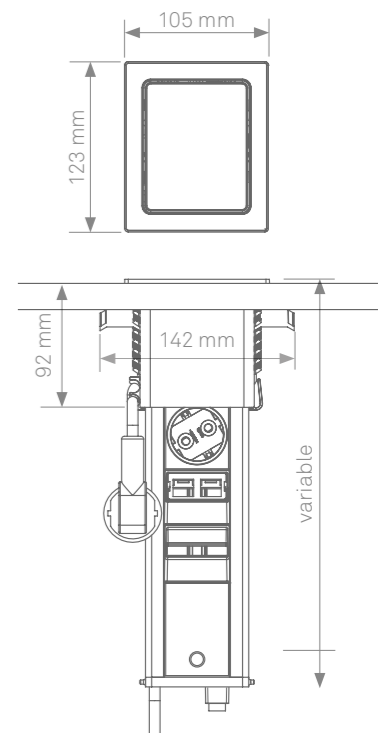
Glass:
matt white

Glass:
glossy black

Stainless
steel:
brushed



Fast and simple mounting.
For panel thicknesses from 10 - 50 mm.





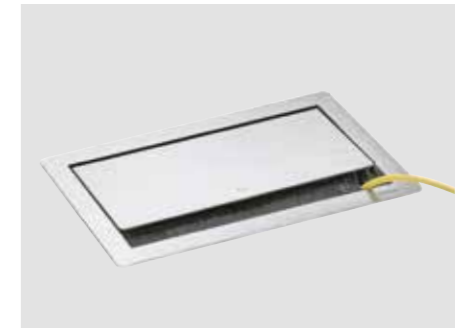
EVoline® FlipTop Push

Opens at the touch of a finger.

The EVoline FlipTop Push is an elegant built-in solution for all work areas that need to be supplied with power, data and multimedia connections.



Freely configurable according to your wishes.



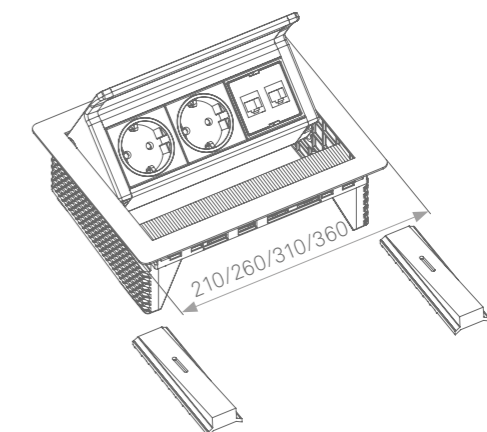
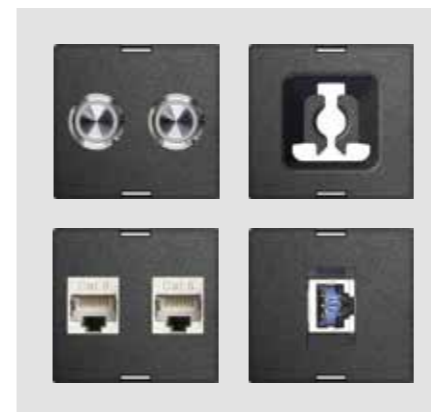
Flush mounted installation possible.

Fast mounting in panels up to 50 mm in thickness.

Practical cable routing ensures tidiness under the desk.

Adapter clip for secure WireLane connection.

Interchangeable modules can be exchanged at any time. Fast and easy mounting or dismounting.



Available surfaces



Stainless steel: brushed



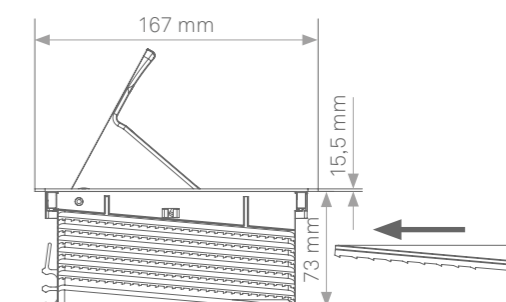
Stainless steel: matt black



Stainless steel: matt white



Stainless steel: matt grey





Individuality ex works.

The EVoline FrameDock mounts flush with horizontal or vertical surfaces, be it a desktop, a worktop in the kitchen, a wall or the lateral surface of a piece of furniture. The low installation depth facilitates the choice of location.



Freely configurable according to your wishes.



Always exchangeable.

Interchangeable modules make it timeless and it grows with the requirements. Fast and easy mounting or dismounting.

Available surfaces

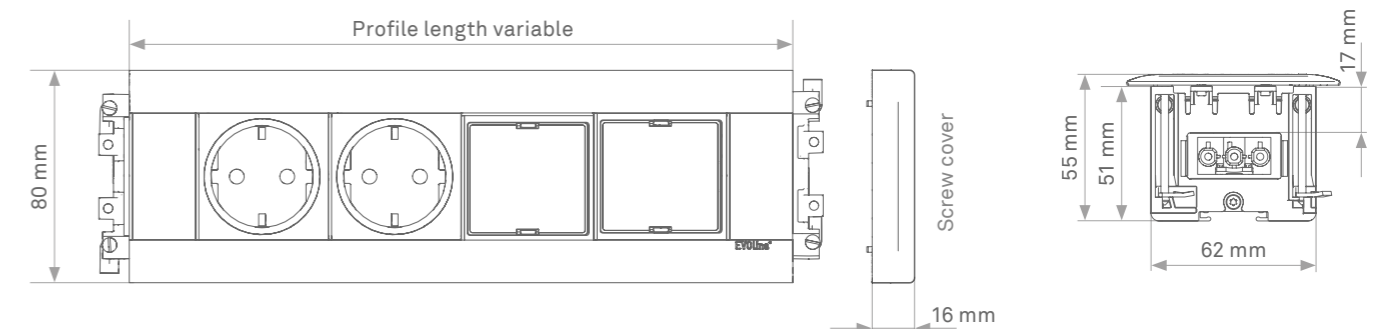


silver / black

silver

black

white





reddot
design award

EVoline® Port

There when you need it.

Just pull the EVoline Port out of the worktop. Connect and lower again with a gentle push.

The patented rocking cover leaves space for the cables so that only the surface is visible in the connected state.



Freely configurable according to your wishes.



Cover surfaces



Plastic:
silver

Stainless steel:
solid

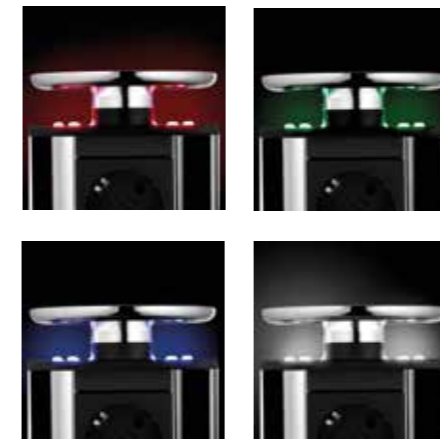
Plastic:
white

Plastic:
black

Steel:
chrome-plated

Plastic:
old brass

Nightlight

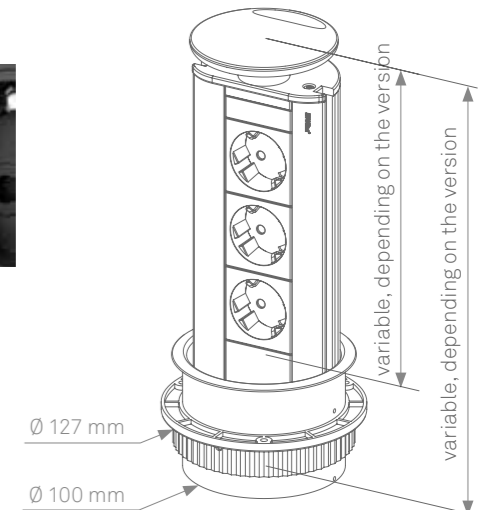


Profile colours



silver colours
anodised

black anodised

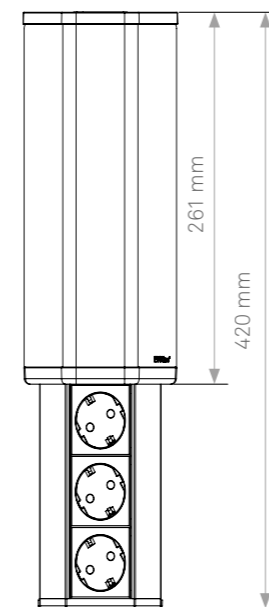
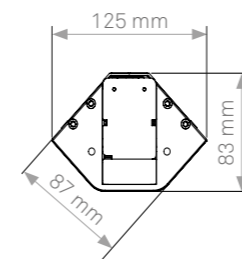




EVOLine® V-Port

**Uses every corner of space.
For kitchens, bars and offices.**

There is almost always space underneath wall cupboards in the kitchen - especially in the corner adjacent to the wall or the next wall cupboard. And this is precisely where the EVOLine V-Port is mounted. The V-Port is connected via a



Available with internationally approved sockets.

special plug-in module on the top. The V-Port is enclosed in an elegant housing with an aluminium cover with a stainless steel look. With a gentle push it becomes a variably connectable multiple socket, optionally with a USB charger.

EVoline® Dock Square

Variable and mobile. Entirely in accordance with your wishes.

The EVoline Dock Square, the modern generation of the desktop systems, combines compactness, variability and mobility at the work place.

Simple adhesive mounting facilitates the assembly. The adhesive bond can be released at any time.



Optional fastening option with stainless steel clamps for the edge of the desktop.



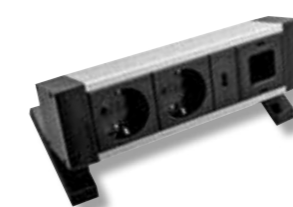
From the Dock Square standard variant to the individually configured versions, interchangeable data and multimedia modules ensure limitless flexibility at all times if your usage requirements should change.



Freely configurable according to your wishes

Optional. End caps for mounting the Fujitsu USB Port Replicator PR09.

Available surfaces



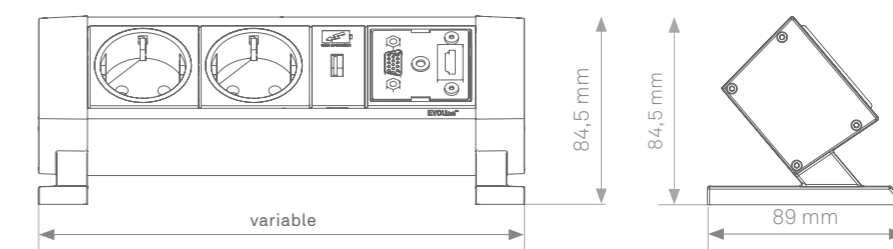
silver



black



white



Proven for office and hotel.

The EVoline Dock floats above the desktop and in this way provides for the maximum possible free space - either mobile on patented clamp feet or stationary on stainless steel clamps. Internationally equipped with connections for power, data and multimedia.



Freely configurable according to your wishes



Available surfaces



silver



black



white



stainless steel look

Various fasteners



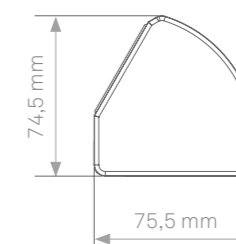
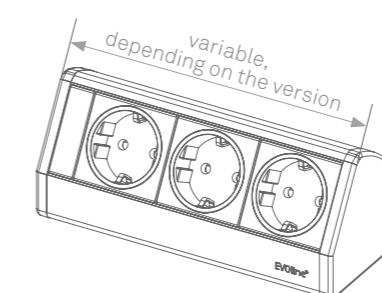
Mounting clamp



Stainless steel clamp



Double mounting clamp



**Variable. Combinable.
Comfortable.**

The EVoline R-Dock can be mounted at any 90-degree angle.

With its slightly angled front, it is easy to use.



*Freely configurable
according to your
wishes*

Back-to-back, it becomes a double unit on a free surface - and of course it's variably configurable in both types of use.

Available surfaces



silver



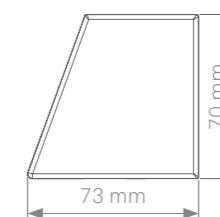
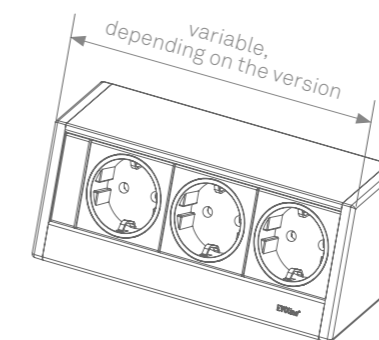
black



white



white
white modules





Fits in every corner.

The V-Dock can be mounted horizontally or vertically and is variable in length.

A further advantage: the connection cable is invisibly guided behind the profile in the angle. The V-Dock's 45-degree orientation in the room makes it easy to connect power and data cables.



Freely configurable according to your wishes

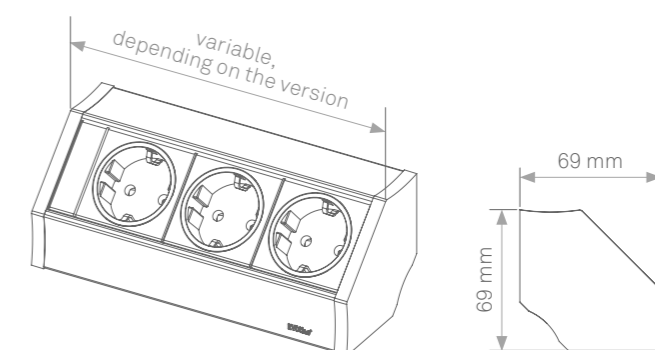
Available surfaces



silver



black



Professional. Robust. Safe.
For hospitals, laboratories etc.

The aluminium profile of the EVoline U-Dock can be attached to, below or in front of the worktop in a variety of ways.

As a robust basis for a professional power and data supply, it includes freely configurable power and data connections as well as safety modules for the protection of

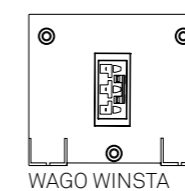
employees and machines. The electrically isolated interchangeable modules can be exchanged at any time.



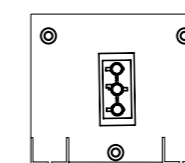
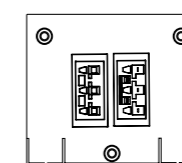
A large number of power connection modules are available for the supply of power.

End cap with fixed power cable, available in different country versions.

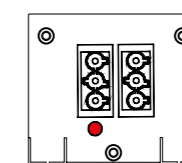
Available with wire end ferrules, EVOLine plug or power plug.



WAGO WINSTA



GST 18



Freely configurable according to your wishes

Available surfaces

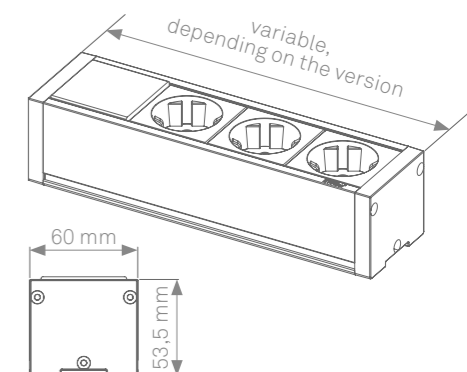


silver



black

Optional end cap with mounting bracket





The mobile organiser.

It organises the most important connections and bundles them, easily accessible, right next to where they are needed.

The vertical multiple socket can be ordered with USB chargers in different versions and international power socket modules.

Available surfaces

Black, silver or white.

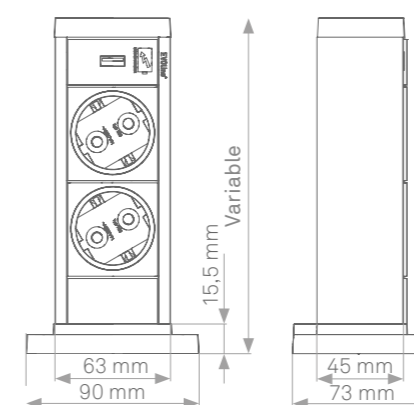


Available with internationally approved sockets.

The EVoline Up can be attached quickly and securely to any work surface - even to glass - with the aid of adhesive strips and removed again without leaving residues behind.



Of course, it can also be firmly screwed to the surface if desired.

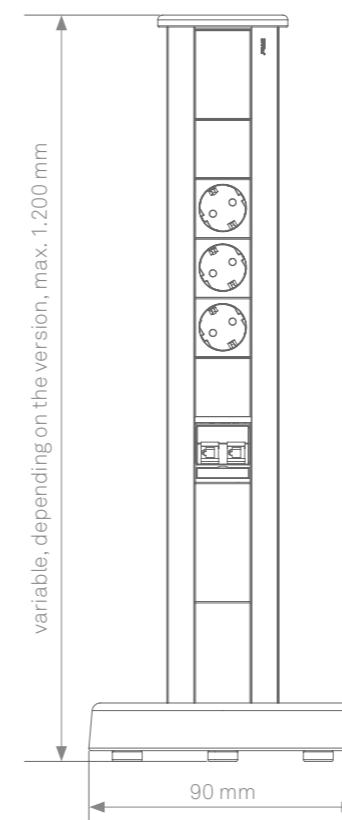




Stable. Space-saving.

The EVoline Vertical stands freely in the room, stable on a solid cast iron base. Upright, mobile and space-saving, it is the ideal solution for offices, hotels or salesrooms.

With a height of up to 1.20 m, the EVoline Vertical eliminates the need to bend down for sockets: power, multimedia and data connections are easily accessible at a comfortable height.



Freely configurable according to your wishes

Available surfaces



silver



black

Safety right from the start.

EVoline relies for office electrification on a modular power supply with decentralised safety modules.

The EVoline Express isolates sensitive circuits from each other and ensures operational safety.



Available with internationally approved sockets.



Possible plug connector systems



Wieland GST 18i3 plug



Wieland GST 18i3 socket

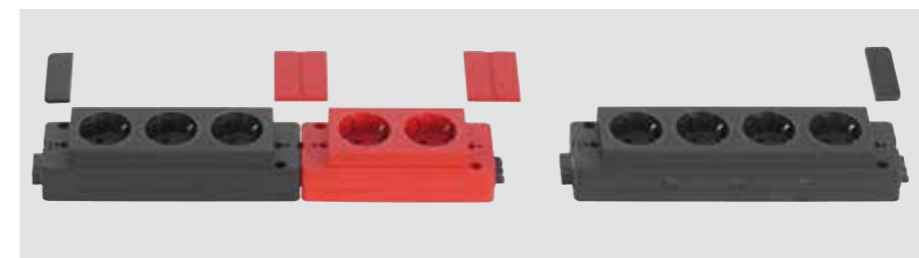


WAGO WINSTA plug



WAGO WINSTA socket

Connection options with the Express:



Self-extinguishing and flame-retardant plastics are standard.

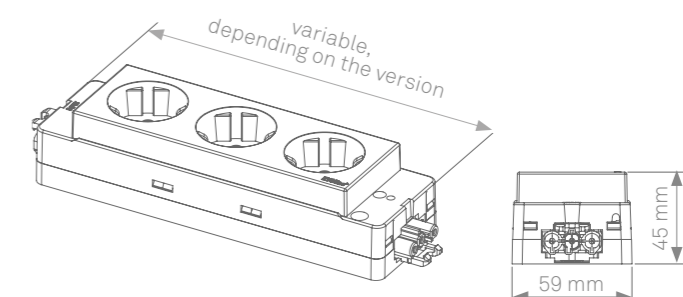
Available colours



black



red



EVoline® Qi Charger

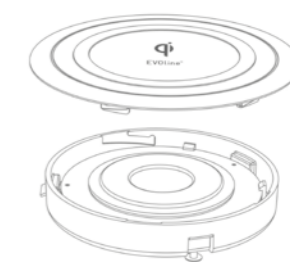
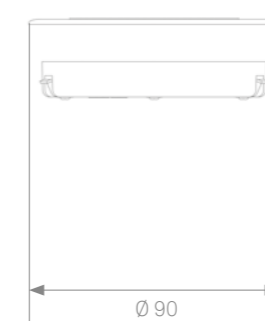
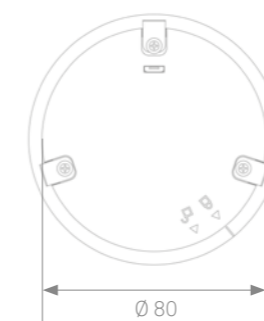


Under cover.

All Qi-compatible devices can be charged with the EVoline Qi Charger.

It is installed either under the table or worktop - so that the charging station is invisible - or as an insert for standard openings of Ø 80 mm.

The device to be charged is simply placed in the appropriate place - pure minimalism.



EVoline® Plug / PlugFix

Extremely flat. Fits behind every cupboard. Prevents tripping hazards.

The extra-flat EVoline Plug easily fits behind every piece of furniture. Its intelligent hinge mechanism turns the grip into a lever - this way the plug can be removed from the socket without the use of force. Even if the cable is jerked, the plug is released without damage.

The EVoline Plug has won numerous awards for its smart ergonomics and minimalist design.



Only with the EVOLine Plug:

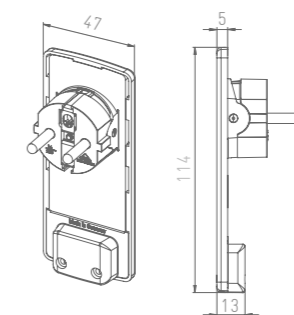
Mobile plug mating face for easy operation and prevention of tripping hazards

PlugFix

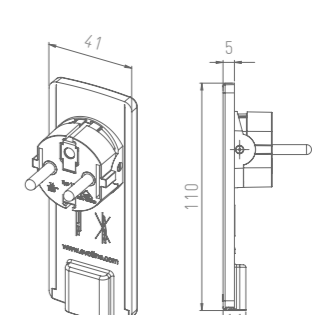
With installed cable and coupling or multiple socket.

Only 5 mm

housing depth



EVOLine® Plug



EVOLine® PlugFix



reddot design award
winner 2011



Ausgezeichnet with der
IENA Goldmedaille



EVoline® Power Connections

NEW

EVoline® PlugMini

Small, but powerful.

The new, extra-small and flat EVOline PlugMini combines the advantages of the proven PlugFix in an even smaller housing.

Due to its low height of just 61 mm, it is particularly suitable for connecting electrical devices that are placed close to walls.

Thanks to the patented hinge mechanism, the EVoline PlugMini can be pulled out of the socket without the use of force.

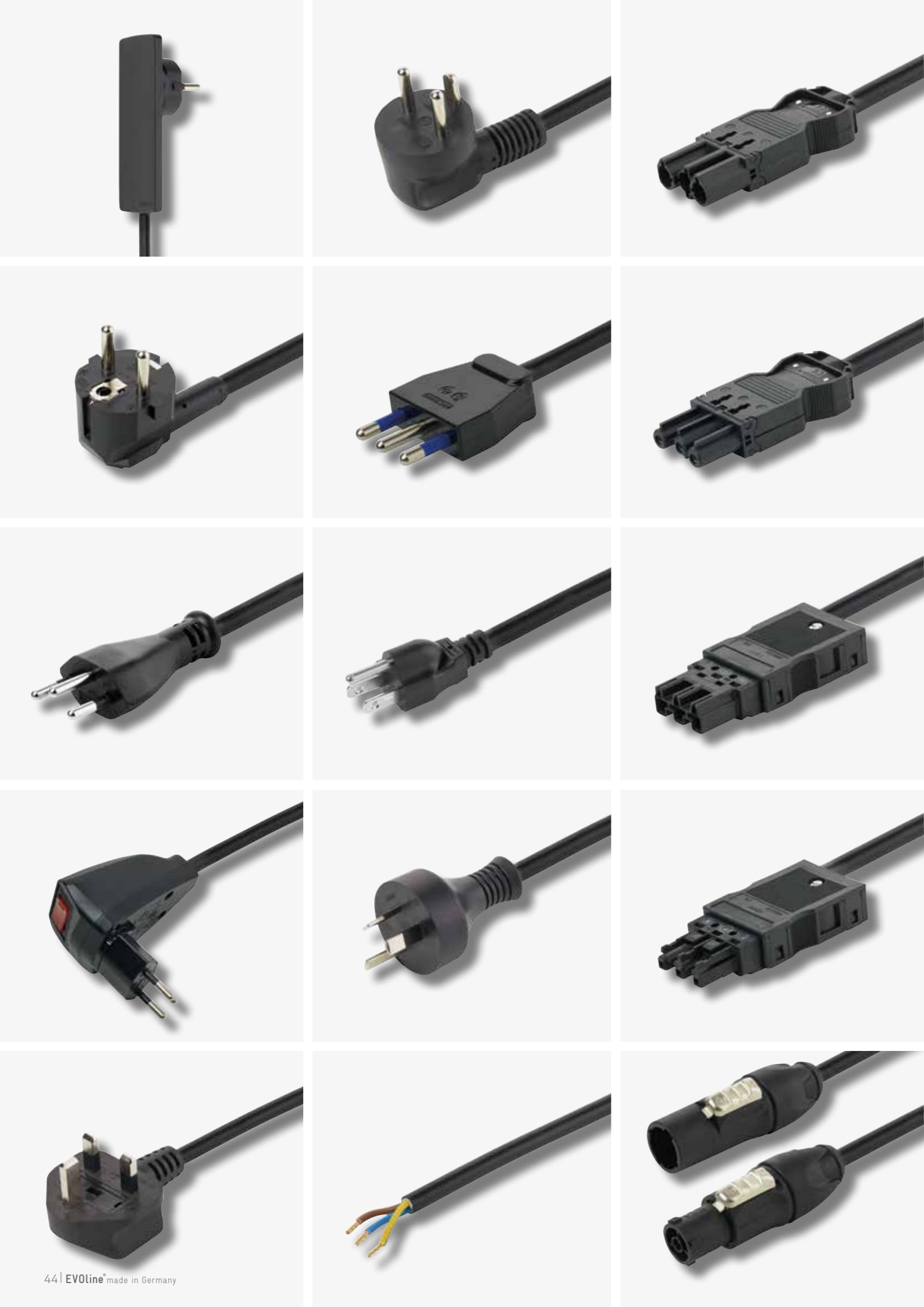
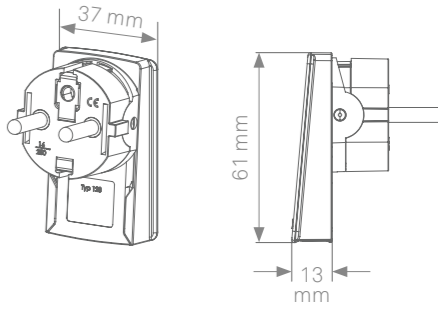


Available colours



white

black





Cable management

Functionality and design should not stop at the edge of the desk. The desk looks good from every side with the Cable management solutions from EVoline.



EVoline Bridge

The EVoline Bridge tidies up the cable routing. The rail is rigid, suitable for rolling over and so flat that no tripping hazard arises. Power and data cables are laid separately in two compartments in their sturdy anodised aluminium housing.



EVoline WireLane

With EVoline WireLane, all cables run in orderly tracks. The plastic under-the-table channel is screwable, linkable and flexible. Individual links can be connected or disconnected.



EVoline Rail

Not all power and data connections need to be accessible on the desk-top. In the case of representative tables, even a completely free area is often desired. EVoline Rail helps with under-the-table mounting, not least with the practical clip for fastening the WireLane.



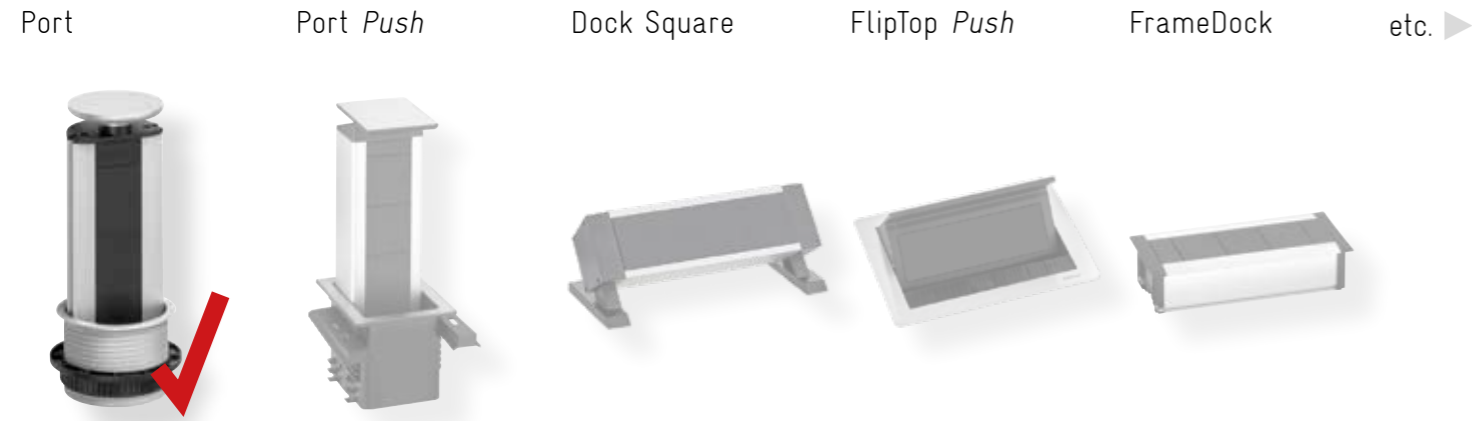


EVOLine products freely configurable according to your wishes.

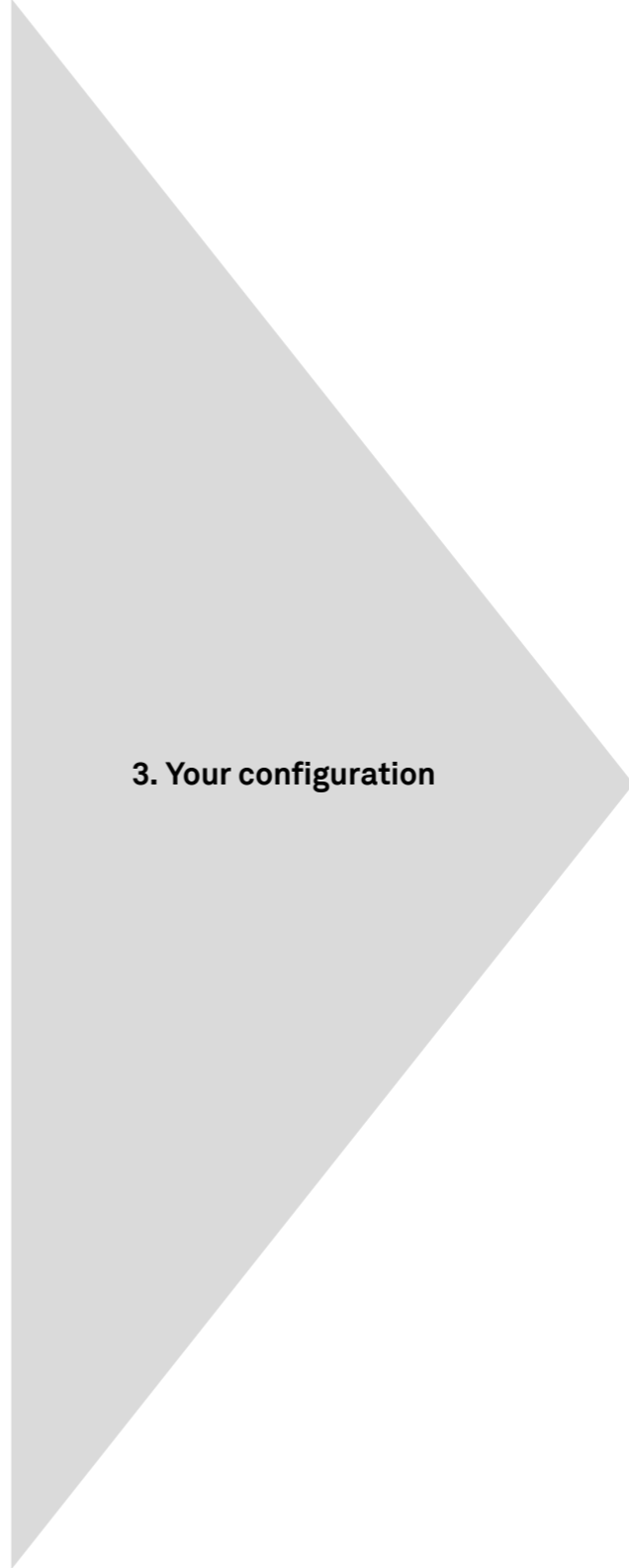
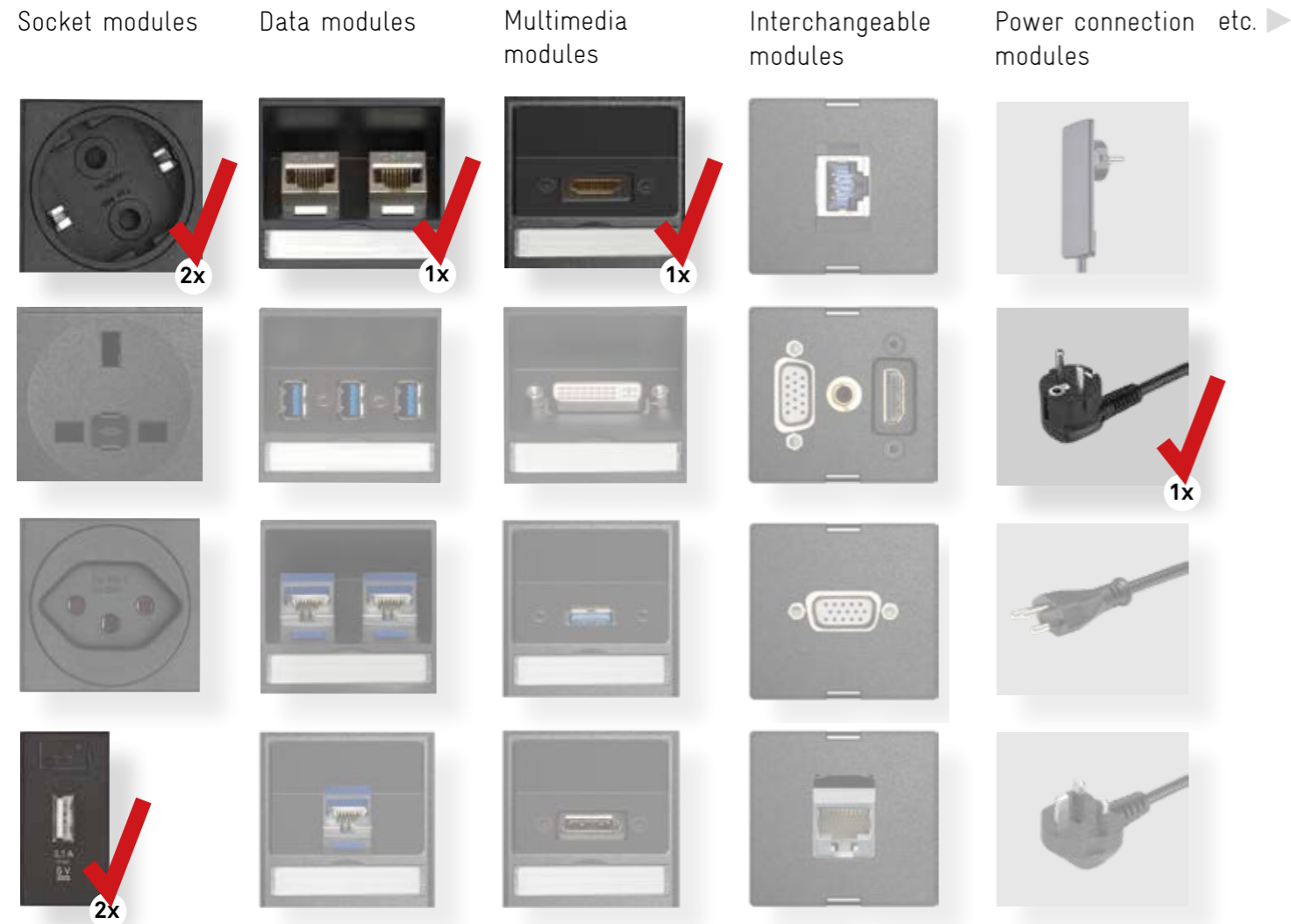
EVOLine® Construction kit

Ordering example

1. Select your EVOLine product



2. Choose your modules



3. Your configuration



Our philosophy:

Switching and protection as close as possible to the consumer.

That's how it's still installed today:

100 years of central electrical distribution:
Huge distribution cabinets, cable chaos in the floor and below the ceiling.



Plan and install with EVOLine:

Decentralised switching and protection
Cost savings of over 40 %
Fire load reduction up to 80%
Tidiness and flexibility are free of charge.



The EVOLine Consolidation Point:

The pivotal point of the system.



**Call us!
We'd be glad to advise you.**

Take a look at how we replaced "100 years of electrical engineering".

Schulte Elektrotechnik is a pioneer of innovative building infrastructure under the heading: "Decentralised electrical distribution".



Kilometres of unnecessarily laid cables were saved. In our new building you will search in vain for central control cabinets, switches and sockets on the wall and ceiling lights, as well as the usual standard grid of floor boxes. Cost-effective branch lines replace the cable bundles of a radial electrical distribution system. You can experience the EVOLine philosophy live in our "Living Office".



Our new pilot project: 4,200 m2 of energy self-sufficient production building .

We look forward to your visit!

EVOLine®

Schulte Elektrotechnik GmbH & Co. KG

Jüngerstraße 21
D-58515 Lüdenscheid

phone +49 23 51 / 94 81-0
fax +49 23 51 / 4 26 58

mail info@schulte.com
internet www.evoline.com

